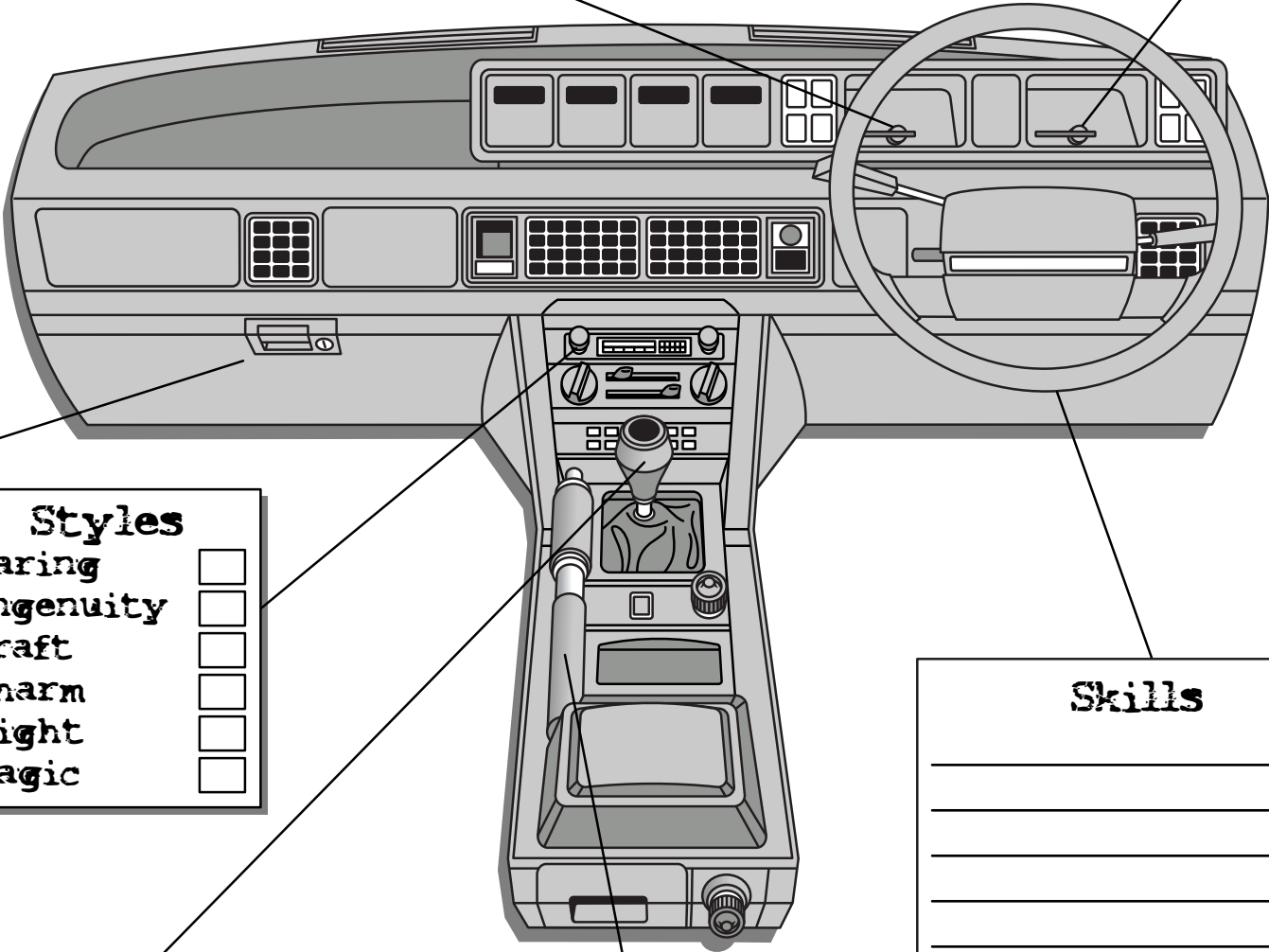




**Nombre** \_\_\_\_\_  
**Player** \_\_\_\_\_  
**Role** \_\_\_\_\_  
**Stampin' Grounds** \_\_\_\_\_

**Plot Points**



**Gear**

**Major**

\_\_\_\_\_

\_\_\_\_\_

\_\_\_\_\_

**Flavor**

\_\_\_\_\_

\_\_\_\_\_

\_\_\_\_\_

**Styles**

**Daring**

**Ingenuity**

**Craft**

**Charm**

**Might**

**Magic**

**Description**

\_\_\_\_\_

\_\_\_\_\_

\_\_\_\_\_

**Die Roll Results**

5-6 Player has total control

4 Player has partial control

3 Moderator has partial control

1-2 Moderator has total control

**Skills**

\_\_\_\_\_

\_\_\_\_\_

\_\_\_\_\_

\_\_\_\_\_

\_\_\_\_\_